

CONTEC SCREW CONVEYOR

CONVEYING 





SOLUTIONS FOR EFFICIENT AND RELIABLE CONVEYING OF DRY BULK MATERIALS



OUR EXPERIENCE – YOUR GUARANTEE

Cimbria Contec screw conveyors provide an efficient and reliable method of conveying a wide range of industrial bulk materials. Many years of practical engineering experience and an in-depth knowledge of product characteristics enable Cimbria Contec to specialise in supplying the correct conveying solution to suit individual customer requirements.

At Cimbria, we have pride in the equipment we manufacture but we also believe in the importance of reliable delivery to ensure the smooth progress of shut downs and customer projects.

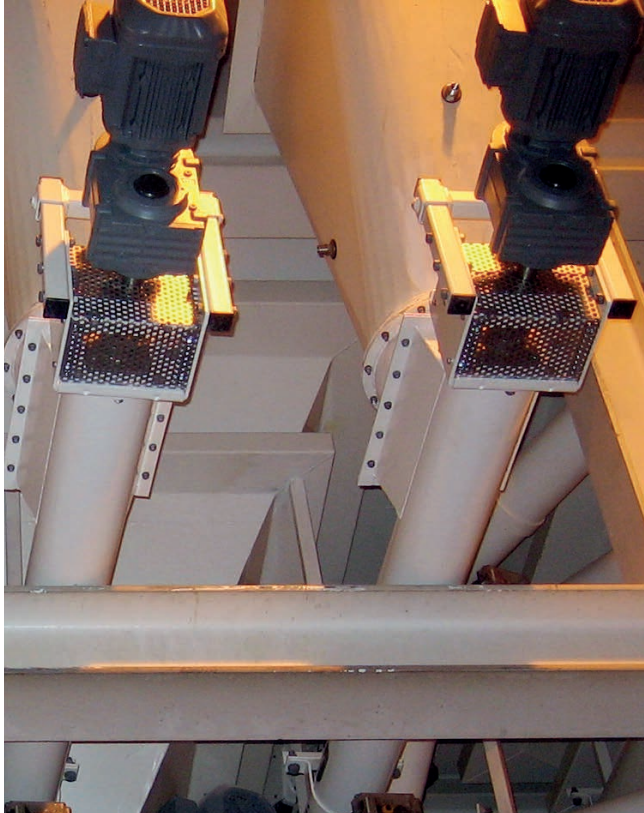
Cimbria Contec provides a combination of high quality equipment, competitive prices, delivery reliability and good service giving our customers the confidence to consistently choose Cimbria Contec as their supplier of screw conveyors.

CIMBRIA.COM

MEETING DEMANDS AND REQUIREMENTS

Cimbria supplies screw conveyors around the world giving us a wealth of experience drawn from a wide variety of reference plants. This provides our team with a comprehensive knowledge of different products and proves our high quality equipment is able to operate in different environments.

A comprehensive range of screw conveyor models combined with a choice of manufacturing materials makes Cimbria Contec screw conveyors ideal for transporting a diverse range of bulk materials within an area from agricultural products such as grain, flour and feed stuff to industrial products as e.g. chalk, fly ash, wood pellets and plastic granulates.



DESIGN FOR OPTIMUM FUNCTIONALITY

The combination of product wear and flow characteristics, capacity requirements, duty, safety and the installation environment are all significant factors when designing the appropriate screw conveyor solution.

HIGH STANDARD CONSTRUCTION

Skilled Cimbria engineers manufacture the complete range of equipment to the same high standards and tight tolerances. One procedure carried out during the fabrication of the flights is to ensure the rotating shaft and flight has no greater run-out than 0.03 mm.

SUPPORT AND SERVICE

The technical department is an important link between the sales and production department. All data, drawings and design are created using the latest equipment in design technology and manufacturing. The technical department is also responsible for supplying each screw conveyor with comprehensive documentation for operation, installation and service.

EXAMPLES OF MATERIALS TO BE CONVEYED

MINERALS		FLOUR		STARCH	
PELLETS		GRAIN		SUGAR	
CEMENT		ANIMAL FEED		WOOD CHIPS	
FLY ASH		FERTILIZERS		POWDERS	

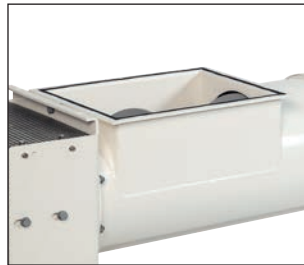
SCREW CONVEYOR CONSTRUCTION

The screw conveyors are of modular construction consisting of inlet and outlet sections, trough section with screw flight and the drive assembly. All types can be delivered in a painted, hot dipped galvanized or stainless steel version.

Equipment and accessories are manufactured for straightforward conveyors or complete systems for large corporate projects, all to meet specific customer requirements. The Contec screw conveyors can be delivered for transport, extraction and dosing.

INLET

The screw conveyors can be delivered without inlet, for site adaption, if required. Otherwise, the screw conveyors can be delivered with square inlet fitting the unique Cimbria Q-pipe system, or with a square or round flanged suited to the requirements of the customer. Furthermore, a variety of widened inlets are available, when the screw is used for extraction of product from e.g. a silo.



OPENABLE COVER (OPTION)

Used for ease of access during the cleaning process and for regular inspection. The cover is equipped with spring locks and a safety microswitch to isolate the drive. Possible to combine with the openable bottom. Suitable for all trough screw models



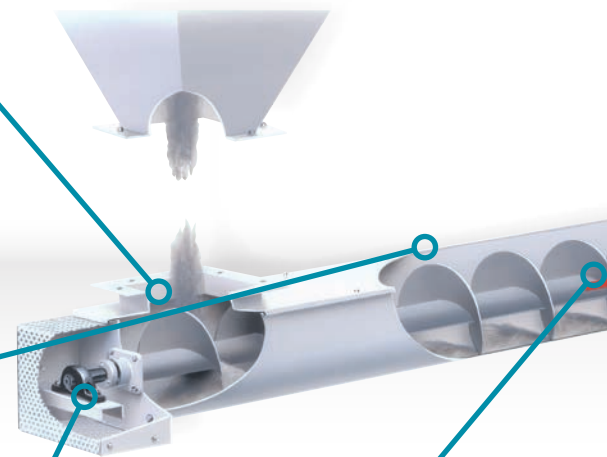
STAND OFF BEARINGS

and adjustable packing boxes Used when conveying abrasive products, powders or when the product temperature is above 90°C. Available with different packing materials and oil rings depending on the product type. Stand off bearings and adjustable packing boxes are standard on SUH and SOH. Additional choice for SU and SO.

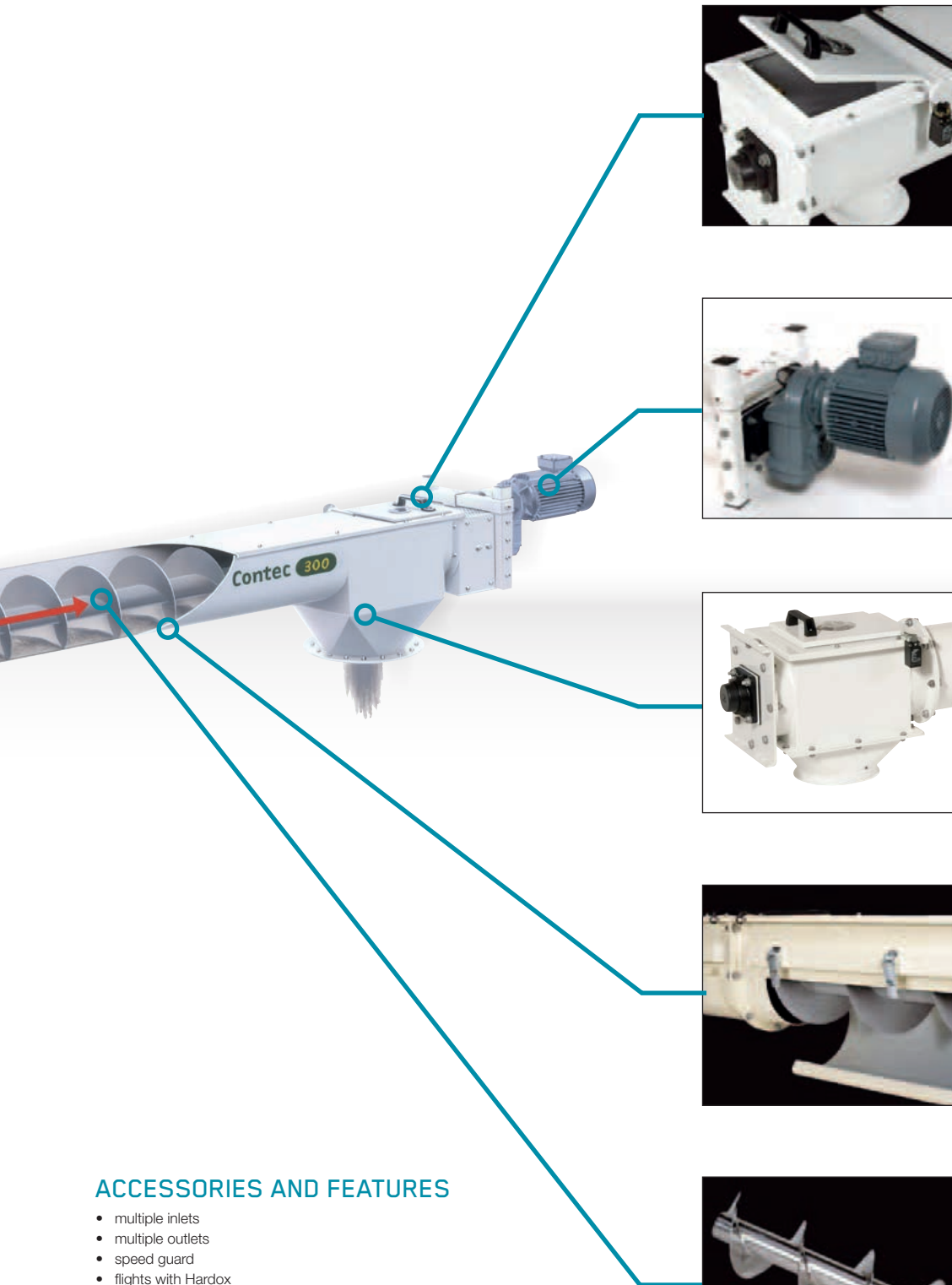


INTERMEDIATE BEARING

Intermediate bearings are at 4m centres as our standard design but can increase to 6m if required. The intermediate bearings can be supplied in various materials; bronze, plastic, beechwood or roller bearings – depending on the product being conveyed. Supplied with models, SU, SUH, SO and SOH.



MODULAR SYSTEM ADAPTED TO YOUR REQUIREMENTS



SAFETY FLAP AND INSPECTION DOOR

The safety flap is mounted on the screw conveyor at the outlet end to protect the machine in the event of a blockage. The safety microswitch isolates the drive when the flap is opened for inspection or a blockage occurs. Generally supplied as standard on all models.



THE DRIVE

Cimbria Contec supply hollow shaft direct drives as standard, mounted with a substantial torque arm frame at the drive or tail end. Can also be supplied with direct drive coupling.



OUTLET

The screw conveyors can be delivered with a variety of outlets. Standard there are three different outlet types with a square outlet fitting the unique Cimbria Q-pipe system, and a square and a round flanged outlet suited to the requirements of the customer. Furthermore, numerous transition and adaption pieces can be supplied, to fit the equipment that is connected to the screw conveyor.



OPENABLE BOTTOM (OPTION)

In order to obtain easy access during the cleaning process, the screw conveyor is equipped with an openable bottom equipped with spring locks and a safety microswitch to isolate the drive. Suitable for the SU and SO models.



FLIGHT OPTIONS

Cimbria Contec manufacture all flights fully welded on the transport side. For hygiene the flight can be manufactured in stainless steel and fully welded on both sides. Standard flight is offered rolled or from pressed plate for greater strength. Design options include; variable pitch or tapered flight to control product flow for silo screw dischargers or when under a flood feed; paddle flight for mixing products; ribbon flight for sticky products.



ACCESSORIES AND FEATURES

- multiple inlets
- multiple outlets
- speed guard
- flights with Hardox
- shaft free flights
- atex zone approved parts
- PEHD wear plate (f. trough screw conveyors)

MODELS AND CAPACITIES

TYPE SU

SU TROUGH CONVEYOR

The SU trough conveyor is designed for horizontal or slightly inclined conveying of free flowing bulk products such as grains, fertilizers, flour, powder or granulates. The screw conveyor is modular in construction with bolted dustproof top cover which enables easy access for inspection and service. The trough conveyor is available in lengths up to 25 meter consisting of trough sections in 2/2,5 meters and flights supported at 4 to 6 metre lengths. Intermediate bearings up to every 6 metres are available in bronze, plastic, beechwood or roller bearings. Models available is sizes 150-800 with capacities ranging from 15 - 475 m³/h.



TYPE SUH

SUH HEAVY DUTY TROUGH CONVEYOR

The SUH conveyor is designed for conveying bulk material with abrasive characteristics or high duty requirements. It is manufactured using heavier materials such as Hardox plate. To improve bearing protection the conveyor is supplied with adjustable packing boxes and stand off bearings. The screw conveyor is modular in construction and as standard it is available in lengths up to 25 meter consisting of trough sections in 2/2,5 metres lengths and flights in 4-6 metre lengths. Hangar bearings up to every 6 metres are available in bronze, plastic, beechwood or roller bearings. Models available is sizes 150-800 with capacities ranging from 15 - 475 m³/h.



TYPE SO

SO TUBE CONVEYOR

The SO tube conveyor is designed for horizontal or inclined conveying of free flowing bulk products such as grains, fertilizer, flour, powders or granulates. The screw conveyor is modular in construction and in standard form the conveyor is available in lengths up to 25 metre consisting of trough sections in 2/2,5 metre lengths and flights in 4-6 metre lengths. Intermediate bearings up to every 6 metres are available in bronze, plastic, beechwood or roller bearings. Models available is sizes 150-800 with capacities ranging from 15 - 475 m³/h.



TYPE SOH

SOH HEAVY DUTY TUBE CONVEYOR

The tube conveyor is also available in a heavy duty construction with the designation SOH. This conveyor type is equipped with stand off bearings as standard. Models available is sizes 150-800 with capacities ranging from 15 - 475 m³/h.



TYPE SAU

SAU TROUGH CONVEYOR

The SAU trough conveyor is equipped with a shaft free flight to prevent product build up in the conveyor. It is designed to operate horizontally or slightly inclined and used to convey viscous products such as sludges and difficult to handle products. The trough is supplied with a special nylon lining to improve wear and self cleaning characteristics. The trough is equipped with bolted dustproof top cover which enables easy access for inspection and service. The maximum length is 12 metres. Models available is sizes 200 - 400 with capacities ranging from 2 - 12 m³/h.



TYPE SPECIAL

INDIVIDUAL ADAPTION = FLEXIBLE SOLUTIONS

At Cimbia Contec we encourage close collaboration between the customer and our sales and technical departments making sure the most suitable engineering solution is proposed to satisfy the customer's product and design parameters and that it can be supplied within budget. The choice of the correct Cimbia model with the additional optional equipment and design will ensure that best engineering practice and best values are achieved.



BENEFITS



EXPERIENCED AND RELIABLE SUPPLIER

- comprehensive documentation
- 3D drawings available for planning purposes
- high industrial quality
- local representation in 30 countries
- more than 30 years of experience
- can be supplied as stand alone equipment or as part of a turnkey plant

MODULAR CONSTRUCTION

- maintenance friendly construction for easy and quick replacement of damaged or worn parts
- easy assembly
- reliable and safe operation
- low maintenance cost
- sturdy and durable equipment for 24/7 usage
- minimized downtime = maximized profit for the end-user

COMPREHENSIVE PRODUCT PROGRAMME

- handles a vast variety of industrial and agricultural bulk materials
- customised solutions to suit specific customer requirements
- day-to day delivery of spare parts
- standard components in stock
- can be delivered with GOST-certificate
- full compliance with the ATEX directive
- continuous development of new products and features



A/S CIMBRIA

Faartoftvej 22
P.O. Box 40, 7700 Thisted
DENMARK
Phone: +45 96 17 90 00
holding@cimbria.com
www.cimbria.com

CIMBRIA BULK EQUIPMENT A/S

Industrivej Syd 1a
7400 Herning
DENMARK
Phone: +45 72 42 24 00
cbe@cimbria.com
www.cimbria.com

**SOLUTIONS.
TOGETHER.**