

## SAXON SB3000 - Band Sealer

### Band Sealer

A heavy-duty continuous band sealer, designed for high-production bag sealing operations that use gusseted or pillow style bags and pouches. The Saxon SB3000 produces reliable, aesthetic seals.

## HEAVY DUTY SEALING SYSTEM

CONTINUOUS BAND



### TEMPERATURE CONTROLLERS

A series of PID temperature controllers continuously monitor and control sealing temperature.



### CONSTRUCTION

Stainless steel housing is mounted on an adjustable-height, corrosion resistant, pedestal.

### BAG TYPES

Seals a variety of bag sizes and materials, including polyethylene, poly-laminates, and co-extrusions.



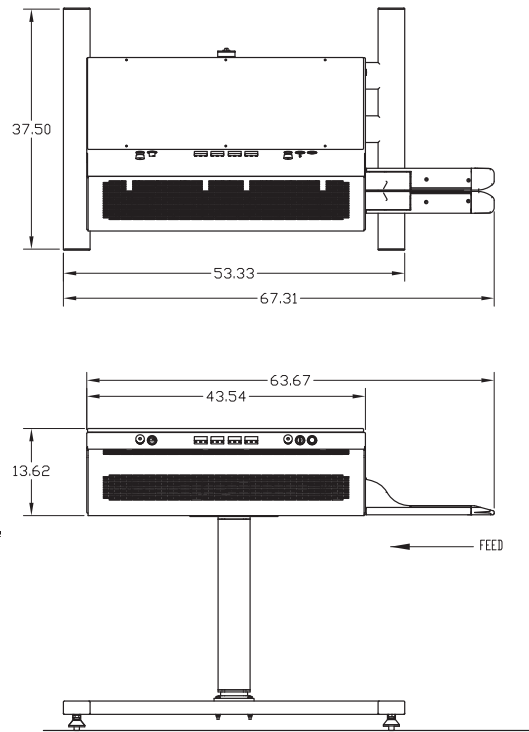
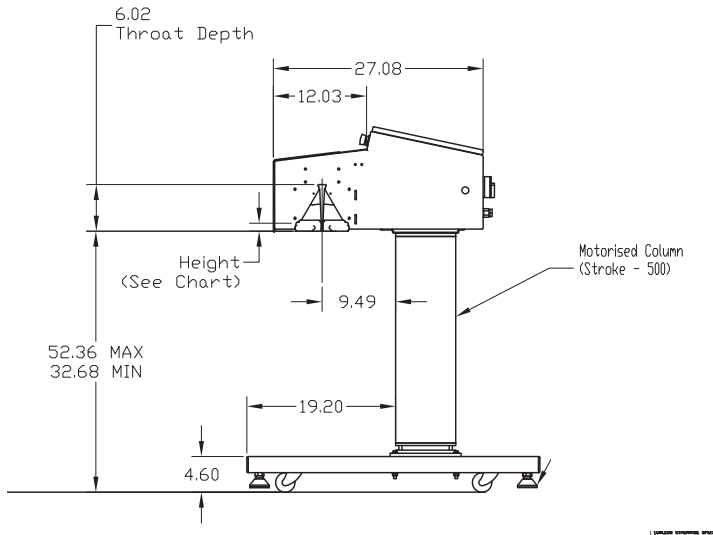
# FISCHBEIN

151 WALKER ROAD, STATESVILLE, NC 28625  
 704-871-1159 / SALES@FISCHBEIN.COM  
 WWW.FISCHBEIN.COM



## SAXON SB3000 - Band Sealer

### Band Sealer



Increased capacity, faster product changeover, less down time, and enhanced reliability.

704-871-1159

BAGS	
Bag Types	Heat sealable structures in pillow and gusseted bags
Bag Thickness	Maximum 12 mils
Minimum Bag Top	Minimum 3.5 inches

OPTIONAL FEATURES	
Bag-top Trimmer	
Air Wash System	
External Vortex Bag-top Cooler	
External Wash-down Version	

SPECIFICATIONS	
Machine Dimensions:	
Length	60 inches
Depth	36 inches
Height	65 inches
Speed	Up to 72.8ft p/m
Electrical (NEMA 12)	230/460V-3PH-50/60hz
10SCFM@50/60PSI	10SCFM@90PSI

MARKETS/APPLICATIONS	
Bakery Mixes	Minerals
Pet Food	Feed Additives
Fertilizers	Agricultural Seed
Chemicals	Cat Litter
Powdered Dairy Products	Snack Food